



**This compact ceiling mounted PIR presence detector provides automatic control lighting, heating and ventilation loads.**

The PIR sensor can be mounted either flush into a ceiling tile or using a surface mounting box. The low profile design means the unit can be mounted in a narrow ceiling void. No external control boxes are required as the unit is self contained.

## Key Product Features

- Low profile design
- Self contained unit
- Pluggable

## Switching Detectors

### Basic version functionality

**B**

- Switching with lux level sensing (manual adjustment)
- Time delay function (manual adjustment)
- Presence detection switching

### PRM version functionality (in addition to Basic)

**PRM**

- Switching with lux level sensing (IR handset adjustment)
- Active photocell
- Time delay function
- Presence detection switching
- Absence detection switching
- Programmable via IR handset
- Adjustable detection sensitivity
- On/off override via optional IR handset
- Manual on/off override via switch input

## Dimming Detectors

### DD and AD version functionality (in addition to PRM)

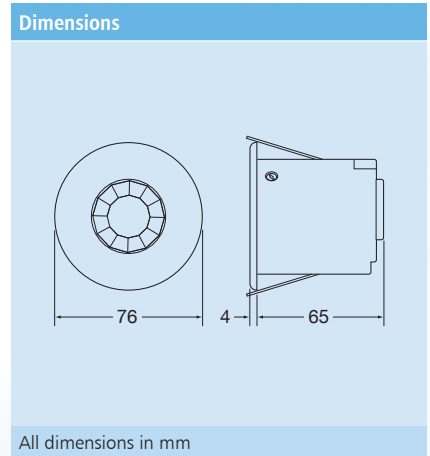
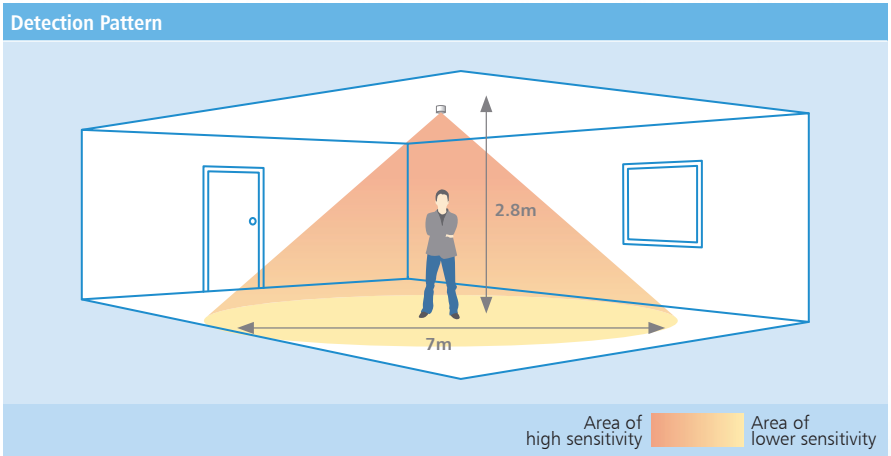


- Dimming functionality
- Two channel flexibility
- Step-down illuminance
- Maintained illuminance (daylight harvesting)
- Scene setting and recall
- Burn in feature for fluorescent tubes
- Control of DALI, DSI or 1–10V loads depending on product
- Integral relay to reduce parasitic power
- Suitable for all lighting types
- Manual dimming with IR
- Manual dimming with switch inputs

### Selected switching detectors are available with the following options

- Low voltage 12–24V AC/DC
- Voltage free Contact
- 2 channel
- 2 channel normally closed for fail safe applications
- Contact our sales office for the variants available

**i Learn more about detector types on pages 10–14**



	Order Code	Description	Load Rating at 230VAC					Time Delay
			R	I	F	CF	LED	
<b>B</b>	<b>EBDSPIR</b>	Compact ceiling mounted PIR presence detector with lux level sensing and time delay function. Manual adjustment only	8A	8A	6A	3A	3A	10s–30m
	<b>EBDSPIR-L3</b>	As EBDSPIR plus pre-wired with 3m lead. Manual adjustment only	8A	8A	6A	3A	3A	10s–30m
	<b>EBDSPIR-IP</b>	As EBDSPIR plus suitable for damp environments (IP55). Manual adjustment only	8A	8A	6A	3A	3A	10s–30m
<b>PRM</b>	<b>EBDSPIR-PRM</b>	Compact ceiling mounted PIR presence/absence detector with lux level sensing, time delay function and infrared override	10A	10A	10A	10A	10A	10s–99m
	<b>EBDSPIR-PRM-L3</b>	As EBDSPIR-PRM plus pre-wired with 3m lead	10A	10A	10A	10A	10A	10s–99m
	<b>EBDSPIR-PRM-IP</b>	As EBDSPIR-PRM plus suitable for damp environments (IP55)	10A	10A	10A	10A	10A	10s–99m
	<b>EBDSPIR-PRM-LV</b>	Compact ceiling mounted PIR presence/absence detector 12–24V AC/DC	10A	8A	6A	3A	3A	10s–99m
	<b>EBDSPIR-PRM-VFC</b>	Compact ceiling mounted PIR presence/absence detector with volt free contact*	6A	6A	6A	3A	3A	10s–99m
	<b>EBDSPIR-PRM-2CH</b>	Compact ceiling mounted PIR presence/absence detector, 2-channel	6A	6A	6A	6A	6A	10s–99m
	<b>EBDSPIR-DD</b>	Compact ceiling mounted PIR presence/absence detector with Direct Dim and time delay function (up to 20 ballasts). DALI/DSI	10A	10A	10A	10A	10A	10s–99m
	<b>EBDSPIR-DD-LV</b>	Compact ceiling mounted PIR presence/absence detector with Direct Dim DALI/DSI 12–24V AC/DC	10A	8A	6A	3A	3A	10s–99m
	<b>EBDSPIR-AD</b>	Compact ceiling mounted PIR presence/absence detector with 1–10V analogue dimming output (up to 10 ballasts)	10A	10A	10A	10A	10A	10s–99m

R = Resistive I = Incandescent F = Fluorescent CF = Compact Fluorescent

Accessories	Description
<b>UNLCDHS</b>	Professional commissioning LCD programming handset. See page 16
<b>UH5</b>	Commissioning handset. See page 15
<b>UH7</b>	User handset. See page 15
<b>DBB</b>	Surface mount back box
<b>DBB-EXT</b>	Surface mount back box extender
<b>EBD-ENCIP1</b>	Detector enclosure IP65

\* Please supply voltage requirement

Selected KNX versions also available. See page 45



Selected Minus30 cold store versions also available. See page 42



This range of surface mounted PIR presence detectors are perfect for simple attachment when flush mounting is not possible.

The EBDSM provides automatic control for lighting, heating and ventilation loads. As the EBDSM range has no external control boxes installation time is dramatically reduced.

### Key Product Features

- Self contained unit
- Easy to install via a back plate
- IP54 rated

### Switching Detectors

PRM version functionality	PRM
Switching with lux level sensing (IR handset adjustment)	
Active photocell	
Time delay function	
Presence detection switching	
Absence detection switching	
Programmable via IR handset	
Adjustable detection sensitivity	
On/off override via optional IR handset	
Manual on/off override via switch input	

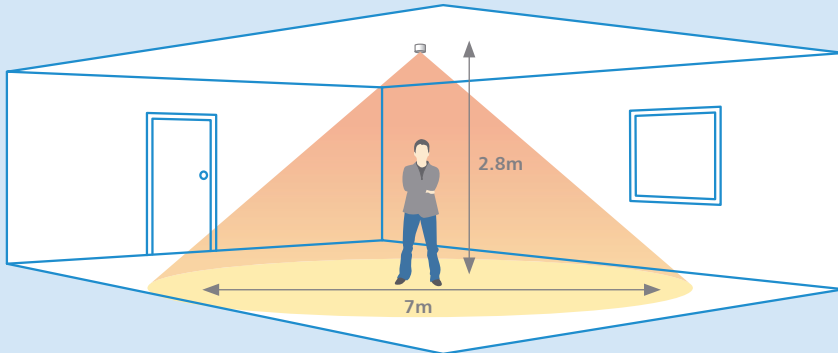
### Dimming Detectors

DD and AD version functionality (in addition to PRM)	DD/AD
Dimming functionality	
Two channel flexibility	
Step-down illuminance	
Maintained illuminance (daylight harvesting)	
Scene setting and recall	
Burn in feature for fluorescent tubes	
Control of DALI, DSI or 1–10V loads depending on product	
Integral relay to reduce parasitic power	
Suitable for all lighting types	
Manual dimming with IR	
Manual dimming with switch inputs	

**i** Learn more about detector types on pages 10–14

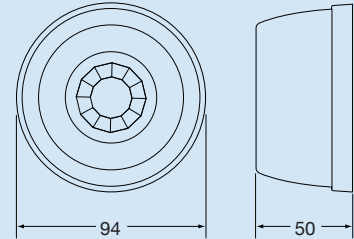


Detection Pattern



Area of high sensitivity Area of lower sensitivity

Dimensions



All dimensions in mm

	Order Code	Description	Load Rating at 230VAC					Time Delay
			R	I	F	CF	LED	
<b>PRM</b>	<b>EBDSM-PRM</b>	Surface mounted PIR presence/absence detector with lux level sensing, time delay function and infrared override	10A	10A	10A	10A	10A	10s–99m
	<b>EBDSM-DD</b>	Surface mounted PIR presence/absence detector with Direct Dim and time delay function (up to 20 ballasts). DALI/DSI	10A	10A	10A	10A	10A	10s–99m
	<b>EBDSM-AD</b>	Surface mounted absence/presence detector with 1–10V analogue dimming output (up to 10 ballasts)	10A	10A	10A	10A	10A	10s–99m
			R = Resistive I = Incandescent F = Fluorescent CF = Compact Fluorescent					
Accessories		Description						
	<b>UNLCDHS</b>	Professional commissioning LCD programming handset. See page 16						
	<b>UHS5</b>	Commissioning handset. See page 15						
	<b>UHS7</b>	User handset. See page 15						



**This small, unobtrusive, but highly capable EBMHS detector is supplied pre-wired and with a connector that snap-fits into the power supply unit (PSU) for ease of installation, and comes with a flush mounting ring for easy fitting into the ceiling.**

Three models are available: premium (PRM), direct dim (DD), and analogue dim (AD) all of which will control a wide range of luminaires. The direct dim variant controls DALI or DSI digital dimming ballasts whilst the analogue dim variant controls 1–10V dimming ballasts.

### Key Product Features

- Ultra compact design
- High sensitivity head for increased detection range
- Detector head leads are available in 300mm and 1m lengths
- IP40 rated

### Switching Detectors

#### PRM version functionality

**PRM**

- Switching with lux level sensing (IR handset adjustment)
- Active photocell
- Time delay function
- Presence detection switching
- Absence detection switching (standard PSU only)
- Programmable via IR handset
- Adjustable detection sensitivity
- On/off override via optional IR handset
- Manual on/off override via switch input

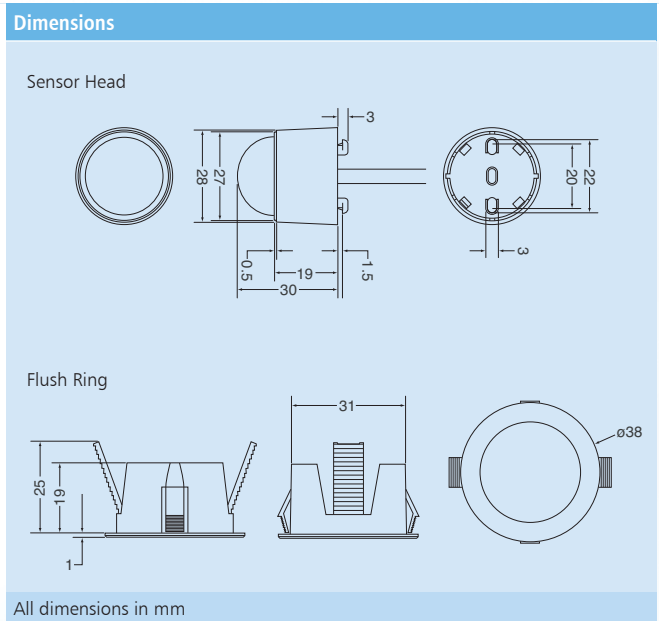
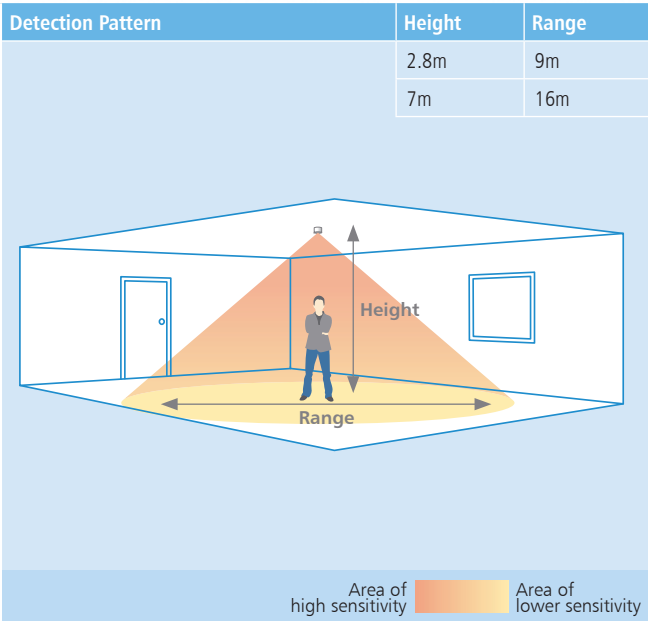
### Dimming Detectors

#### DD and AD version functionality (in addition to PRM)



- Dimming functionality
- Two channel flexibility
- Step-down illuminance
- Maintained illuminance (daylight harvesting)
- Scene setting and recall
- Burn in feature for fluorescent tubes
- Control of DALI, DSI or 1–10V loads depending on product
- Integral relay to reduce parasitic power
- Suitable for all lighting types
- Manual dimming with IR
- Manual dimming with switch inputs (standard PSU only)

**i** *Learn more about detector types on pages 10–14*



	Order Code	Description	Load Rating at 230VAC					Time Delay
			R	I	F	CF	LED	
<b>PRM</b>	<b>EBMHS-PRM-SA-C</b>	Miniature PIR presence/absence detector with lux level sensing and c/with pre-wired power supply unit (PSU)	6A	6A	6A	3A	3A	10s–99m
	<b>EBMHS-DD-SA-C</b>	Miniature PIR presence/absence detector with Direct Dim DALI/DSI c/with pre-wired PSU (up to 10 ballasts)	6A	6A	6A	3A	3A	10s–99m
	<b>EBMHS-AD-SA-C</b>	Miniature PIR presence/absence detector with 1–10V analogue dimming output c/with pre-wired PSU (up to 10 ballasts)	6A	6A	6A	3A	3A	10s–99m

R = Resistive    I = Incandescent    F = Fluorescent    CF = Compact Fluorescent

What's in the Box	
	Miniature PIR sensor head complete with 300mm lead Power supply unit Miniature PIR head flush ring

Accessories	Description
	<b>UNLCDHS</b> Professional commissioning LCD programming handset. See page 16
	<b>UHS5</b> Commissioning handset. See page 15
	<b>UHS7</b> User handset. See page 15

EBMPIR-MB



EBMPIR-MB-PRM-110



The EBMPIR-MB series of miniature batten mount PIR presence detectors provide automatic control of lighting loads. They have been specifically designed for mounting onto a batten style luminaire. The units are IP65 rated and are therefore suitable for outdoor use, as well as wet and damp environments.

Three models are available: premium (PRM), direct dim (DD), and analogue dim (AD) all of which will switch a wide range of luminaires. The direct dim variant controls DALI or DSI digital dimming ballasts whilst the analogue dim variant controls 1–10V dimming ballasts.

### Key Product Features

- Integrated unit – no separate power supply required
- Retrofit solution
- IP65 rated
- Suitable for a wide range of luminaires
- Supplied with comprehensive fitting kit

### Switching Detectors

#### PRM version functionality

**PRM**

- Switching with lux level sensing (IR handset adjustment)
- Active photocell
- Time delay function
- Presence detection switching
- Programmable via IR handset
- Adjustable detection sensitivity
- On/off override via optional IR handset

### Dimming Detectors

#### DD and AD version functionality (in addition to PRM)



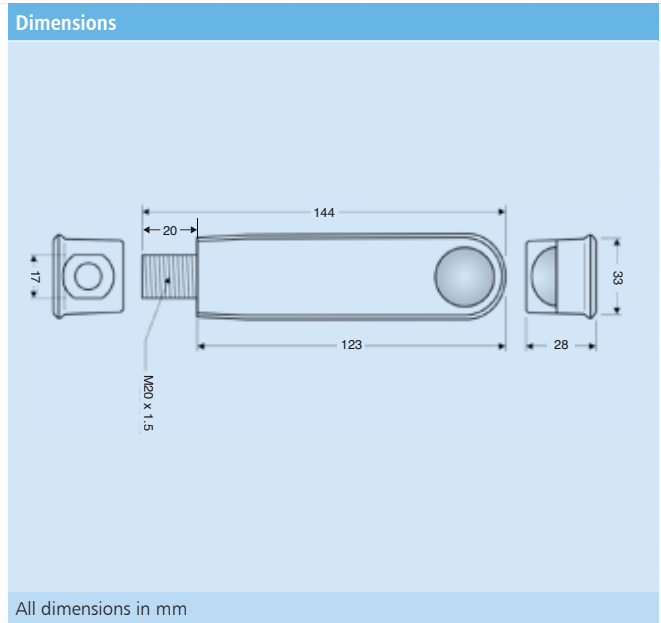
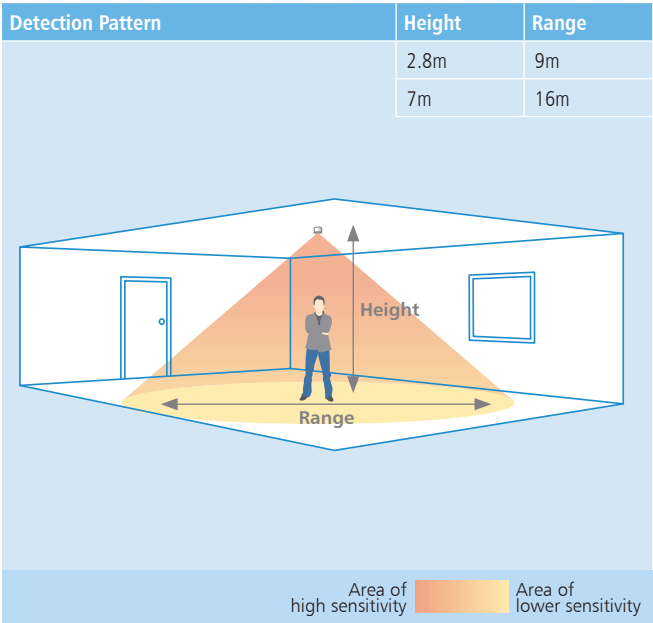
- Dimming functionality
- Step-down illuminance
- Maintained illuminance (daylight harvesting)
- Scene setting and recall
- Burn in feature for fluorescent tubes
- Control of DALI, DSI or 1–10V loads depending on product
- Suitable for all lighting types
- Manual dimming with IR

**i** Learn more about detector types on pages 10–14



Selected Minus30 cold store versions also available. See page 42





	Order Code	Description	Load Rating at 230VAC					Time Delay
			R	I	F	CF	LED	
<b>PRM</b>	<b>EBMPIR-MB-PRM</b>	Batten mount PIR presence detector with lux level sensing	2A	2A	2A	2A	2A	10s–99m
	<b>EBMPIR-MB-PRM-110</b>	Batten mount PIR presence detector with lux level sensing 110V	2A	2A	2A	2A	2A	10s–99m
	<b>EBMPIR-MB-DD</b>	Batten mount PIR presence detector with Direct Dim DALI/DSI (up to 10 ballasts)	N/A	N/A	N/A	N/A	N/A	10s–99m
	<b>EBMPIR-MB-AD</b>	Batten mount PIR presence detector with 1–10V analogue dimming output (up to 4 ballasts)	2A	2A	2A	2A	2A	10s–99m

Bulk pack (BP) options available R = Resistive I = Incandescent F = Fluorescent CF = Compact Fluorescent

What's in the Box	
	<ul style="list-style-type: none"> <li>Miniature PIR integrated power supply unit</li> <li>Silicon washer</li> <li>M20 Nut</li> <li>IP spacer with silicon coating</li> <li>5° spacer</li> <li>5° washer</li> </ul>

Accessories	Description
	<b>UNLCDHS</b> Professional commissioning LCD programming handset. See page 16
	<b>UH55</b> Commissioning handset. See page 15
	<b>UH57</b> User handset. See page 15

Selected Minus30 cold store versions also available. See page 42





EBMINT fitted to louvre

The EBMINT series of miniature PIR presence detector is designed to be retrofitted to luminaires quickly and effectively. It is specifically designed for mounting onto a lamp or louvre (using the louvre fitting bracket).

Three models are available to suit lighting control requirements: Premium (switched), Direct Dim up to 4 dimming ballasts (DALI or DSI) and analogue dim (1–10V). All are suitable for use with high efficiency lamps such as LED, linear fluorescent and compact fluorescent.

### Key Product Features

- Integrated unit – no separate power supply required
- Sensitive movement detection up to 7 metres
- Fixings for T5, T8 battens and louvre reflectors
- Easy to install – no specialist tools required
- Quick to set up via infrared handset control
- IP40 rated

### Switching Detectors

#### PRM version functionality

**PRM**

- Switching with lux level sensing (IR handset adjustment)
- Active photocell
- Time delay function
- Presence detection switching
- Programmable via IR handset
- Adjustable detection sensitivity
- On/off override via optional IR handset

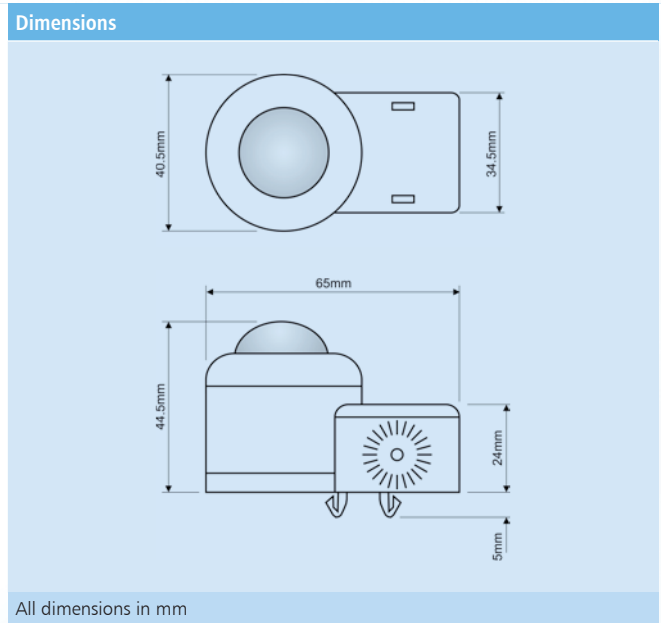
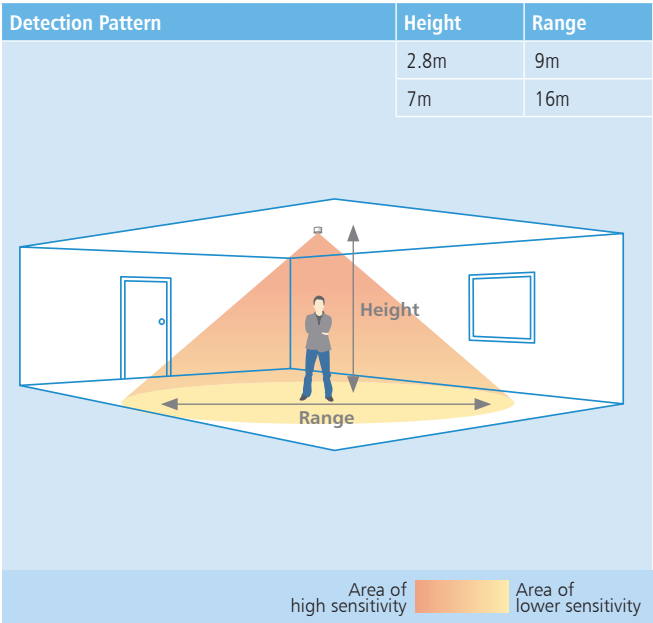
### Dimming Detectors

#### DD and AD version functionality (in addition to PRM)



- Dimming functionality
- Step-down illuminance
- Maintained illuminance (daylight harvesting)
- Scene setting and recall
- Burn in feature for fluorescent tubes
- Control of DALI, DSI or 1–10V loads depending on product
- Suitable for all lighting types
- Manual dimming with IR

**i** Learn more about detector types on pages 10–14



	Order Code	Description	Load Rating at 230VAC					Time Delay
			R	I	F	CF	LED	
	EBMINT-PRM	Integrated PIR presence detector with lux level sensing, time delay function and infrared override	2A	2A	2A	2A	2A	10s–99m
	EBMINT-DD	Integrated PIR presence detector with Direct Dim and time delay function (up to 4 ballasts). DALI/DSI	2A	2A	2A	2A	2A	10s–99m
	EBMINT-AD	Integrated 1–10V PIR presence detector for 1–10V analogue dimming output (up to 4 ballasts)	2A	2A	2A	2A	2A	10s–99m

R = Resistive    I = Incandescent    F = Fluorescent    CF = Compact Fluorescent



What's in the Box	
	Miniature PIR integrated power supply unit T5 clip T8 clip Louvre clip 1m silicon lead

Accessories	Description
	UNLCDHS Professional commissioning LCD programming handset. See page 16
	UHS5 Commissioning handset. See page 15
	UHS7 User handset. See page 15



EBDHS



PATENTED DESIGN



**EBDHS is an increased performance PIR presence detector developed for lighting control in areas with demanding spaces and increased mounting heights or where higher sensitivity is required.**

Three models are available: premium (PRM), direct dim (DD), and analogue dim (AD) all of which will switch a wide range of luminaires. The direct dim variant controls DALI or DSI digital dimming ballasts whilst the analogue dim variant controls 1–10V dimming ballasts.

### Key Product Features

- Ground breaking detection range up to 40m (dependent on location)
- Mounting height up to 20m
- Unique lens technology – high sensitivity within the detection range
- Ideal for high bay applications
- Adjustable masking shields to tailor detection zones
- Verify feature – reduce false triggering by ensuring detection from more than one of the internal sensors
- IP65 rated

### Switching Detectors

#### PRM version functionality

PRM

- Switching with lux level sensing (IR handset adjustment)
- Active photocell
- Time delay function
- Presence detection switching
- Absence detection switching
- Programmable via IR handset
- Adjustable detection sensitivity
- On/off override via optional IR handset
- Manual on/off override via switch input

### Dimming Detectors

#### DD and AD version functionality (in addition to PRM)




- Dimming functionality
- Two channel flexibility
- Step-down illuminance
- Maintained illuminance (daylight harvesting)
- Scene setting and recall
- Burn in feature for fluorescent tubes
- Control of DALI, DSI or 1–10V loads depending on product
- Integral relay to reduce parasitic power
- Suitable for all lighting types
- Manual dimming with IR
- Manual dimming with switch inputs

#### Selected switching detectors are available with the following options

- Low voltage 12–24V AC/DC
- Voltage free contact
- 2 channel
- 2 channel normally closed for fail safe applications
- Contact our sales office for the variants available

**i** Learn more about detector types on pages 10–14

 Selected KNX versions also available. See page 45

 Selected Minus30 cold store versions also available. See page 43

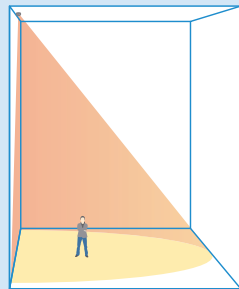
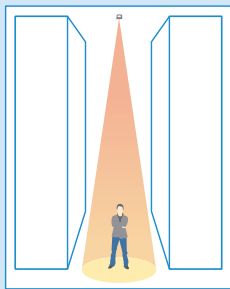
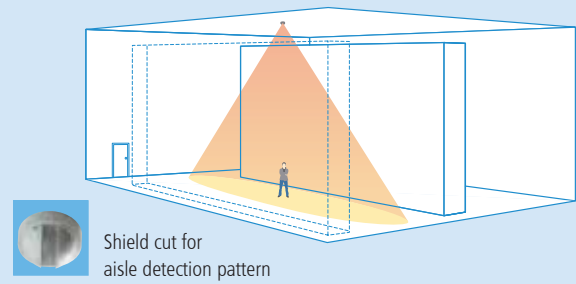
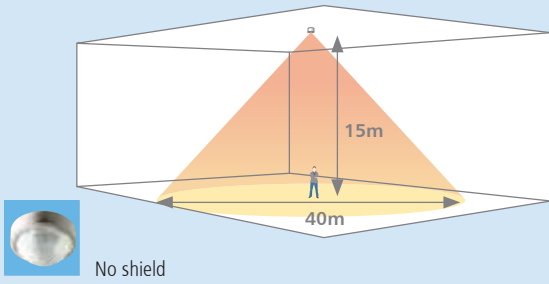
**PROGRAM FROM GROUND LEVEL**



The IR transmitting and receiving technology in our handsets and detectors has been carefully designed to allow programming from ground level.

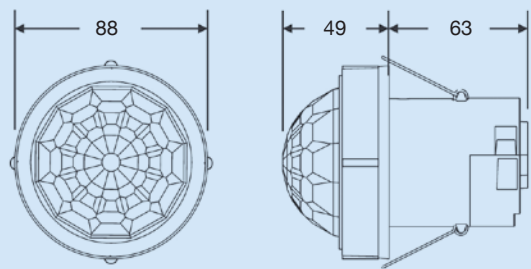


Detection Pattern



Area of high sensitivity (orange) Area of lower sensitivity (yellow)

Dimensions



All dimensions in mm

For detailed detection information please refer to the product user guide on our website.

	Order Code	Description	Load Rating at 230VAC					Time Delay
			R	I	F	CF	LED	
<b>PRM</b>	<b>EBDHS-PRM</b>	High sensitivity PIR presence/absence detector	10A	10A	10A	10A	10A	10s–99m
	<b>EBDHS-DD</b>	High sensitivity PIR presence/absence detector with Direct Dim DALI/DSI (up to 20 ballasts)	10A	10A	10A	10A	10A	10s–99m
	<b>EBDHS-AD</b>	High sensitivity PIR presence/absence detector with 1–10V analogue dimming output (up to 10 ballasts)	10A	10A	10A	10A	10A	10s–99m

R = Resistive I = Incandescent F = Fluorescent CF = Compact Fluorescent

Accessories	Description
<b>UNLCDHS</b>	Professional commissioning LCD programming handset. See page 16
<b>UHS5</b>	Commissioning handset. See page 15
<b>UHS7</b>	User handset. See page 15
<b>EBDHS-DBB-WBRKT</b>	Wall mounting bracket for EBDHS series
<b>DBB</b>	Surface mount back box
<b>DBB-EXT</b>	Surface mount back box extender

Selected KNX versions also available. See page 45



Selected Minus30 cold store versions also available. See page 43





The EBDHS-MB luminaire mount high bay PIR presence detector range provides exceptionally sensitive and long range detection. The detectors are ideal for high bay lighting control in areas with demanding spaces and increased mounting heights such as warehouses and factories, and are simple to retrofit to commercial luminaires and basic battens.

Three models are available: premium (PRM), direct dim (DD), and analogue dim (AD) all of which will switch incandescent, fluorescent, compact fluorescent and LED lighting. The direct dim variant controls DALI or DSI digital dimming ballasts whilst the analogue dim variant controls 1–10V dimming ballasts.

### Key Product Features

- Ground breaking detection range up to 40m (dependent on location)
- Easy to retrofit to commercial luminaires and basic battens
- Mounting height up to 20m
- Unique lens technology – high sensitivity within the detection range
- IP65 rated
- Ideal for high bay applications
- Adjustable masking shields to tailor detection zones
- Quick install via M20 gland
- All models come pre-wired with a 1m silicon cable
- Supplied with two masking shields and a silicone ingress protection gasket

### Dimming Detectors

#### DD and AD version functionality (in addition to PRM)



- Dimming functionality
- Two channel flexibility
- Step-down illuminance
- Maintained illuminance (daylight harvesting)
- Scene setting and recall
- Burn in feature for fluorescent tubes
- Control of DALI, DSI or 1–10V loads depending on product
- Integral relay to reduce parasitic power
- Suitable for all lighting types

### Switching Detectors

#### PRM version functionality

**PRM**

- Switching with lux level sensing (IR handset adjustment)
- Active photocell
- Time delay function
- Presence detection switching
- Programmable via IR handset
- Adjustable detection sensitivity
- On/off override via optional IR handset
- Verify feature – reduce false triggering by ensuring detection from more than one of the internal sensors

**i** Learn more about detector types on pages 10–14

#### PROGRAM FROM GROUND LEVEL

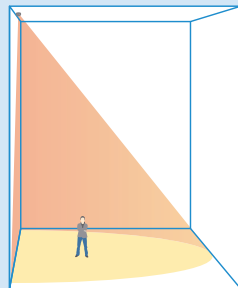
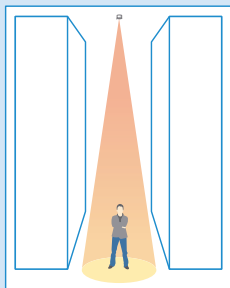
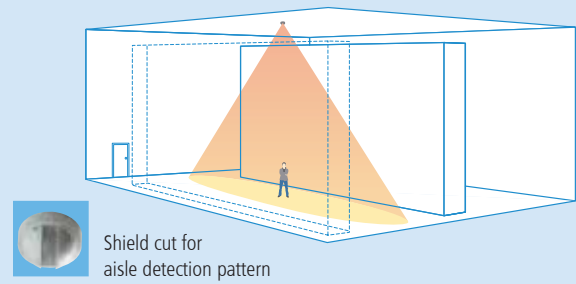
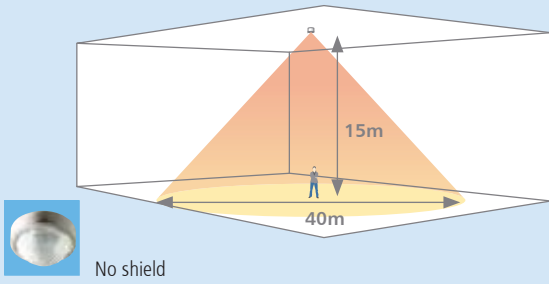


The IR transmitting and receiving technology in our handsets and detectors has been carefully designed to allow programming from ground level.



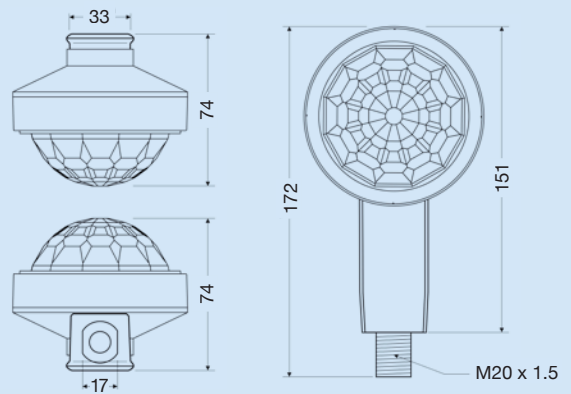
Selected Minus30 cold store versions also available. See page 43

Detection Patterns



Area of high sensitivity (orange) Area of lower sensitivity (yellow)

Dimensions



All dimensions in mm

For detailed detection information please refer to the product user guide on our website.

	Order Code	Description	Load Rating at 230VAC					Time Delay
			R	I	F	CF	LED	
<b>PRM</b>	<b>EBDHS-MB-PRM</b>	Luminaire mount high bay PIR presence detector with lux level sensing, time delay and infrared override	2A	2A	2A	2A	2A	10s–99m
	<b>EBDHS-MB-DD</b>	Luminaire mount high bay PIR presence detector with Direct Dim DALI/DSI (up to 10 ballasts)	2A	2A	2A	2A	2A	10s–99m
	<b>EBDHS-MB-AD</b>	Luminaire mount high bay PIR presence detector for 1–10V analogue dimming output (up to 4 ballasts)	2A	2A	2A	2A	2A	10s–99m

R = Resistive I = Incandescent F = Fluorescent CF = Compact Fluorescent



What's in the Box

- Power supply unit
- Silicon washer
- M20 Nut
- IP spacer with silicon coating
- 5° spacer
- 5° washer

Accessories	Description
<b>UNLCDHS</b>	Professional commissioning LCD programming handset. See page 16
<b>UH55</b>	Commissioning handset. See page 15
<b>UH57</b>	User handset. See page 15



Selected Minus30 cold store versions also available. See page 43